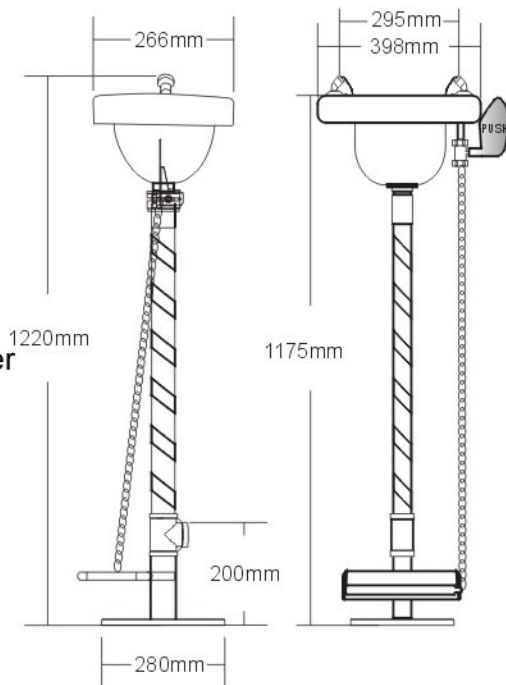


E150



Specification:

- 1.Eyewash Bowl: ABS plastic.
- 2.Eye washer valve:1/2" brass ball valve.
- 3.Water supply & outlet: 1-1/4" IPS/NPT.
- 4.Water working pressure: 0.2MPA-0.8MPA
- 5.Flow control: 12L/Min
- 6.Original water: Clean water or leached water
- 7.Activation: Eye washer is activated by push handle or foot treadle.
- 8.Package: Carton size: 81X26X26CM
1 set per export carton
G.W.: 11KG N.W.: 10KG



Meets EN15154-1 & 2
ANSI Z358.1